



# SCIENSCOPE

We Sell Solutions

---

**OFFLINE  
X-RAY  
INSPECTION**

# Xspection 1860

## Xspection 3000

## Xspection 3120

Fully integrated 90kV  
microfocus sealed tube

Spot size down to 5µm

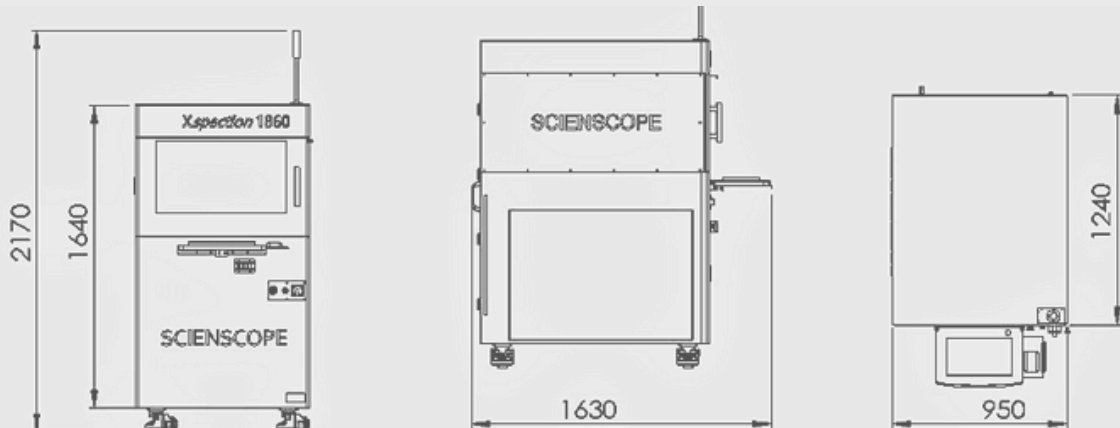
Navigation camera for  
easy click & inspect

45° Tilting angle  
capability

Accurate void calculation

Enhanced BGA Tool

IndustrialPC: Microsoft  
Windows 11



[sales@osdemsidustrial.com](mailto:sales@osdemsidustrial.com)

# Xspection 1860

# Xspection 3000

# Xspection 3120

Fully integrated 100kV or 130kV microfocus sealed tube (for 160kV contact us)

Spot size down to 5 $\mu$ m

Larger flat panel detector

Added one more mapping camera

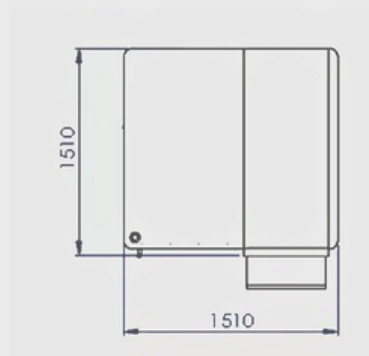
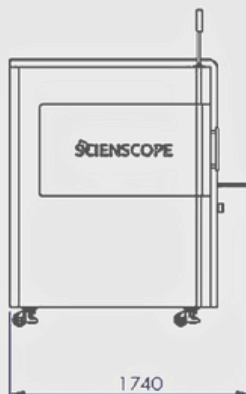
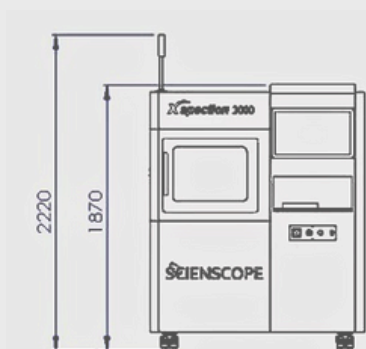
Self-learning AI software

XY table has been upgraded

IndustrialPC: Microsoft Windows 11

Accurate VOID calculation

Enhanced BGA tool



[sales@osdemsidustrial.com](mailto:sales@osdemsidustrial.com)

# Xspection 1860

# Xspection 3000

# Xspection 3120



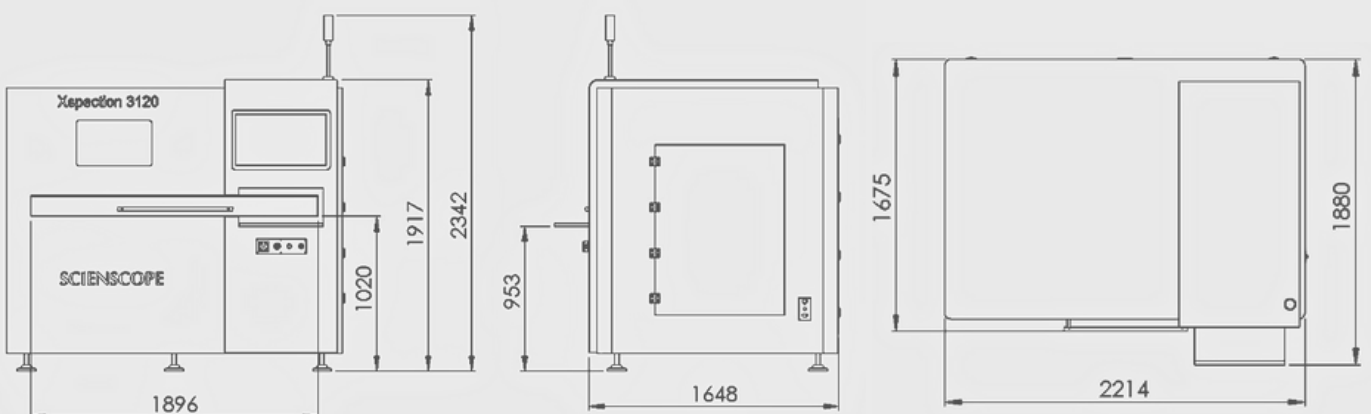
Fully integrated 90kV or 130kV high power microfocus-closed x-ray tube

Tilting capabilities of 45°

Automatic programming of fiducial & barcode inspection

Accurate VOID percentage calculated with AI

Industrial PC: Windows 11



[sales@osdemsidustrial.com](mailto:sales@osdemsidustrial.com)



# CONTACT

+52 33 1174 4584

+52 33 262 5912

[sales@osdemsidustrial.com](mailto:sales@osdemsidustrial.com)

