

AXI 7300

X-Ray Inspection



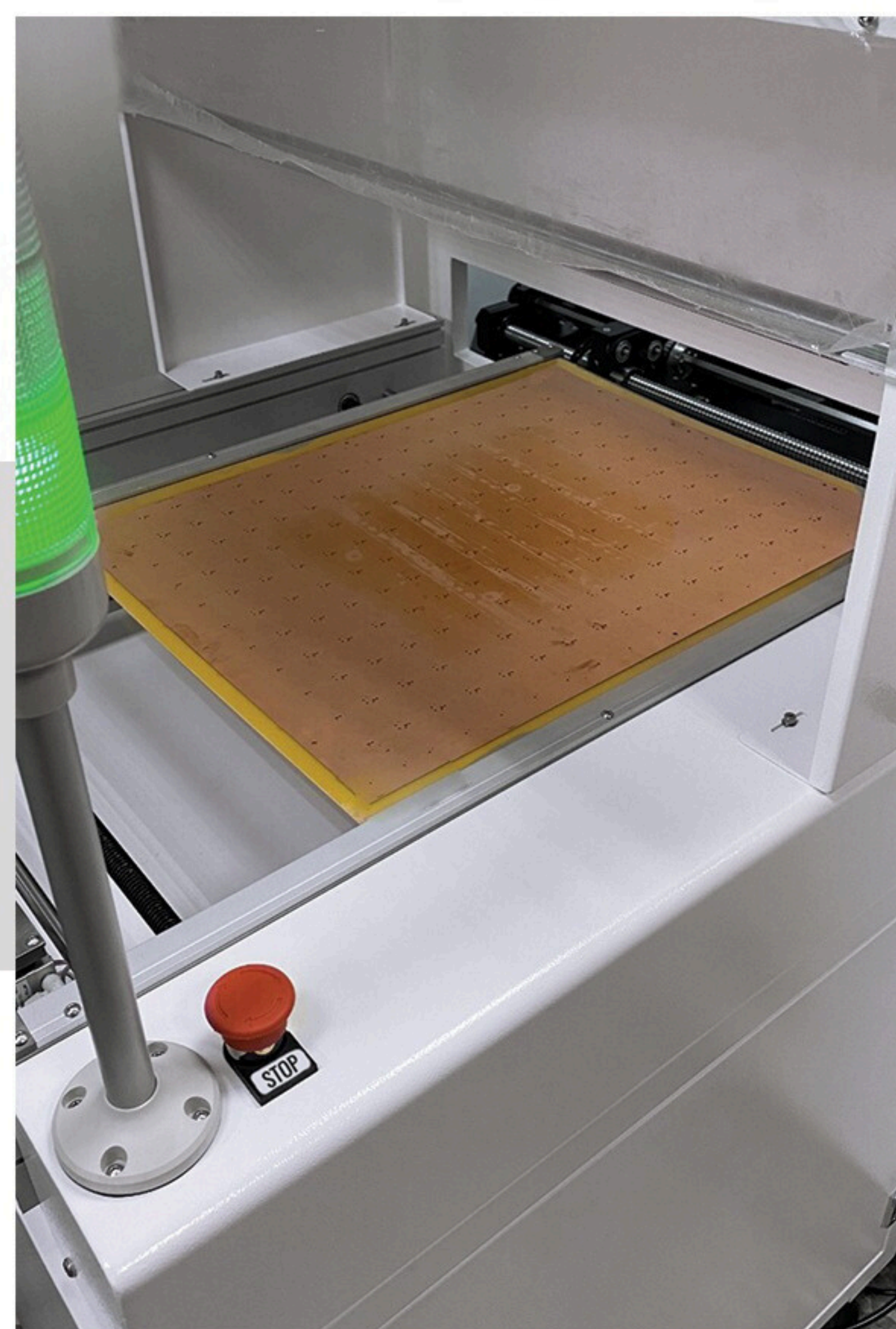
The AXI 7300 has advanced features that significantly enhance its capabilities. These include a cutting-edge linear motor transport system that enables quick and accurate object movement, a large inspection area, and a high-resolution digital flat panel detector. The AXI 7300 model maintains its original offline analysis and inspection mode while connecting to the SMT production line for high-capacity automatic inline full inspection.

The AXI 7300 is a state-of-the-art inline X-ray inspection system equipped with feeding and discharge conveyors. It employs a real-time digital flat panel and X-ray device in a fully shielded radiation enclosure to ensure complete safety. The AXI 7300 is ideal for precise testing in various industries, including SMT, lithium batteries, and precision injection molding. The X and Y axes of the system offer a travel range of 650mm x 550mm, and a specialized module is included to detect bubbles or voids in electronic components with BGA, QFN, or QFP packaging. The system also supports teaching and import/export functions for various product inspections and features high-speed and high-precision linear motors. Barcode automatic recognition and automatic report storage are optional add-ons, and the system can be easily controlled using a mouse and keyboard.

Entrance Conveyor



Exit Conveyor



FEATURES

- Fully integrated, 130kV high power micro-focus closed x-ray tube
- Automatic program inspection with fiducial & barcode
- Spot size down to 5 μ
- 4" x 5" high resolution & ultra resolution
- CMOS digital flat panel image detector
- 25" x 22" Inspection stage
- Software identifies voids by analyzing image grayscale values
- 45° 5-axis tilt
- Simple point-and-click, intuitive GUI provides access to create advanced inspection routines
- Industrial PC: Microsoft Windows 11

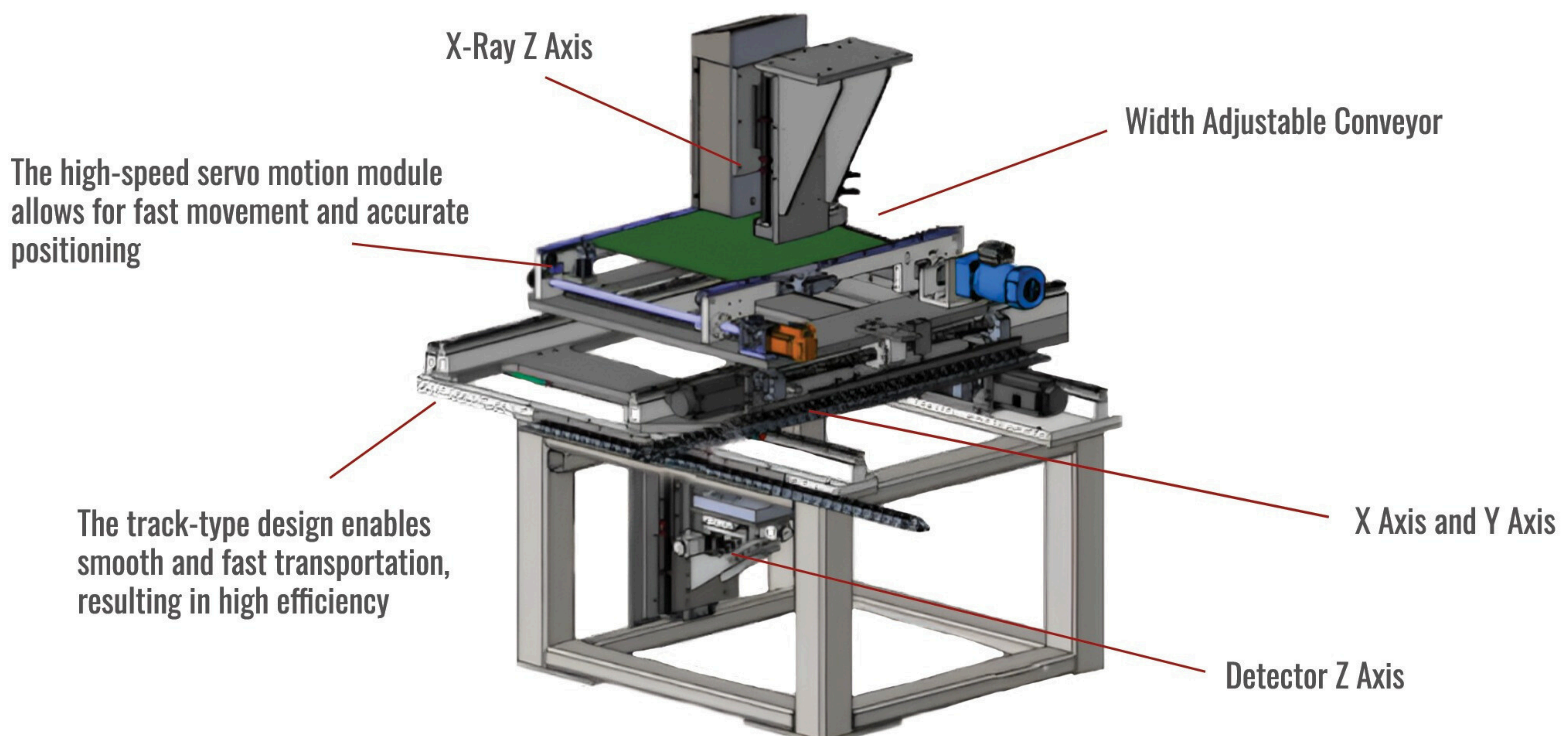


AXI 7300

X-Ray Inspection

AXI 7300

Hardware	Inspection Area	635mm x 358mm
	Maximum 5-Axis Tilt	45°
	Maximum X-Ray Power	130kV 5µm
	X-Ray Flat Panel Detector	4" x 3" (5" x 5" optional)
	System Magnification	800x
	Resolution of Main Camera	1248 x 1024
	Air Specifications	0.4-0.6 MPa
	Max Length of Measurable Product	650mm
	Max Width of Measurable Product	500mm
	Max Height of Measurable Product	70mm
Software	Void Percentage Calc. (auto)	Yes
	Barcode	Optional
	Offline Programming	Yes
	Repair Station	Yes
	Discrepancy Comparator	Optional
	Windows 11 Ready	Yes
	Dimension	1600mm x 1685mm x 1680mm
	Weight	3500 kg
	Electric	AC110-240V VAC50-60Hz



- +52 33 1174 4584
- +52 33 1691 1593



- Blvd. Puerta de Hierro 5153, Fracc. Plaza Andares. Zapopan, Jalisco 45116 Piso 2.