

Smart Storage Rack **STENCILS**



The Scienscope Smart Stencil Rack has been engineered to enhance the efficiency of storing and retrieving solder stencils. With a retrieval or storage time of a few seconds per stencil, this innovative system minimizes operators' time locating the appropriate position for their stencil. Instead, they can insert the stencil into any available slot with a built-in sensor. To further expedite the retrieval process, the precise location of the desired stencil is illuminated, enabling the operator to locate and verify the correct stencil without extensive searching swiftly. Moreover, the Smart Stencil Rack has been meticulously designed to accommodate stencil sizes from 23" x23" to 29" x29", with spacing to accommodate stencils with widths of 5mm, 20mm, and 40mm.



FEATURES

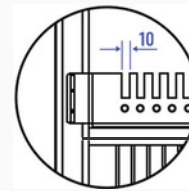
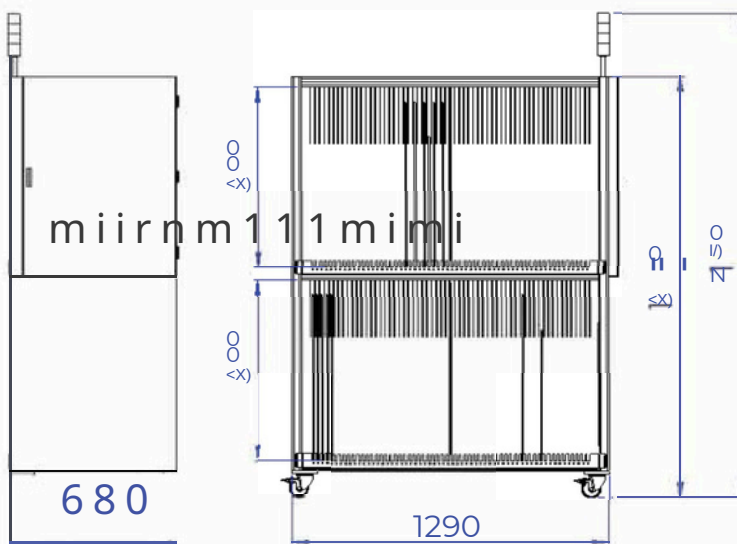
- ERP and MES System integration
- Sensors detect when and where stencils are pulled or placed
- Easy-to-use software PC or PDA
- Easy to move (ESD Caster)
- Multi-color LED allows color-coded multi-kitting simultaneously
- Small footprint
- Full traceability with UID
- Auto slot assignment by LED light
- Compatible with Cleaning Equipment and IMS Systems
- Stencil size of 23" x 23" to 29" x 29"
- Industrial PC: Microsoft Windows 11



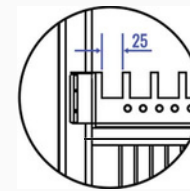
Smart Storage Racks

Stencils

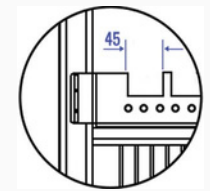
Model#	WH-SRA-5	WH-SRA-20	WH-SRA-40
Stencil Size	23"x23" & 23"x29" (L 790mm, W 660mm)	23"x23" & 23"x29" (L 790mm, W 660mm)	23"x23" & 23"x29" (L 790mm, W 660mm)
Stencil Width	5mm	20mm	40mm
Shelf	60	35	21
Shelves	2	2	2
Capacity	120	70	42
Spacing	10mm	25mm	45mm
Weight	250	225	210
Dimensions	1290mm x 680mm x 1870 (with light 2150)	1290mm x 680mm x 1870 (with light 2150)	1290mm x 680mm x 1870 (with light 2150)



WH-SRA-5



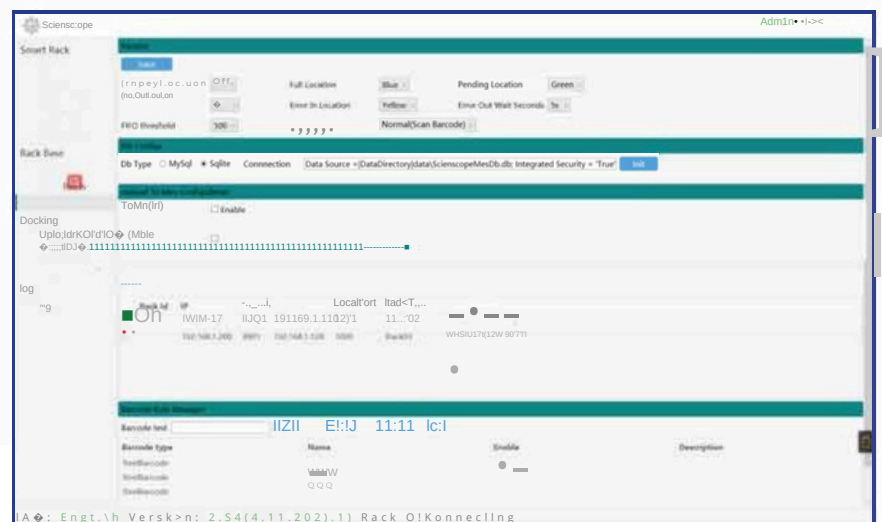
WH-SRA-20



WH-SRA-40



Easy to Use Software



- +52 33 1174 4584
- +52 33 1691 1593



- Bvd. Puerta de Hierro 5153, Fracc. Plaza Andares. Zapopan, Jalisco 45116 Piso 2.